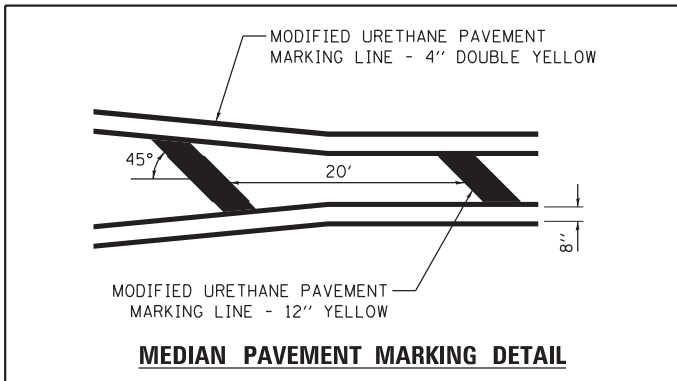
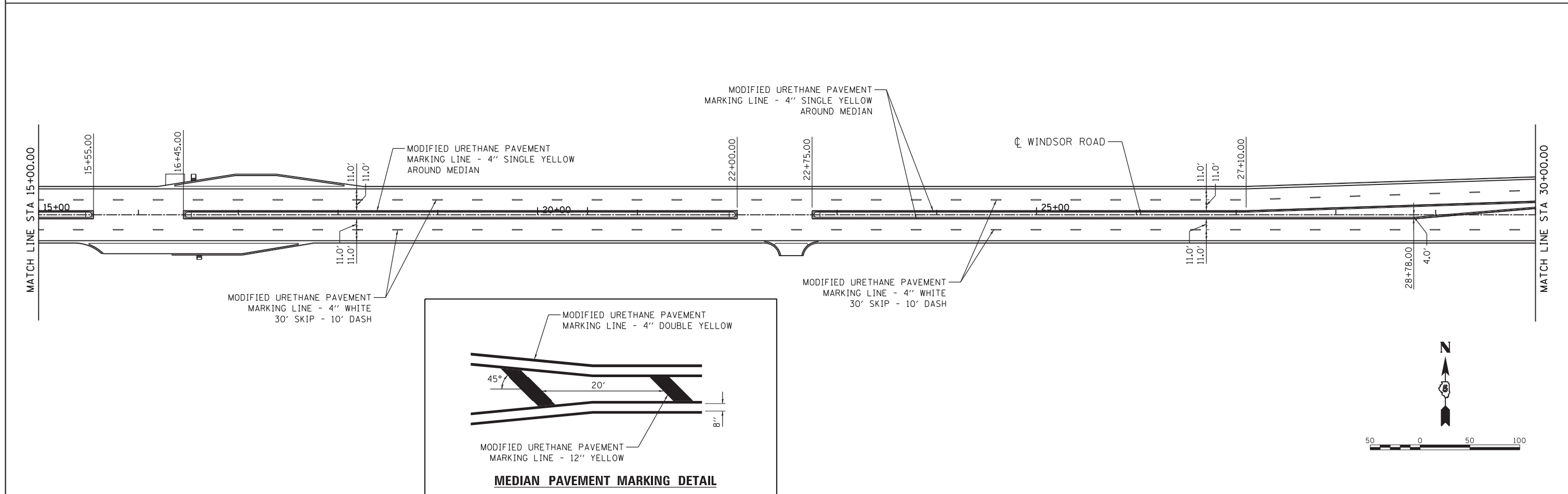


SEE RACE ST/ PHILO ROAD PAVEMENT MARKING SHEETS FOR RACE STREET DIMENSIONS.

SEE RACE ST. PAVEMENT MARKING INTERSECTION DETAIL FOR INTERSECTION LAYOUT.



DESIGNED	MH	4/29/14
DRAWN	RSJ	4/29/14
REVIEWED	MH	4/29/14

FILE NAME =	USER NAME = johns00944	DESIGNED - MH	REVISED -
D513L0201-sht-pmk01		DRAWN - RSJ	REVISED -
MODEL NAME =	PLOT SCALE = 100.0000' / in.	CHECKED - MH	REVISED -
Pavement Marking	PLOT DATE = 06/12/2014	DATE - 05-03-2014	REVISED -

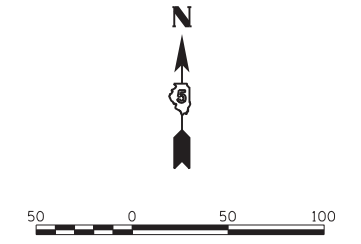
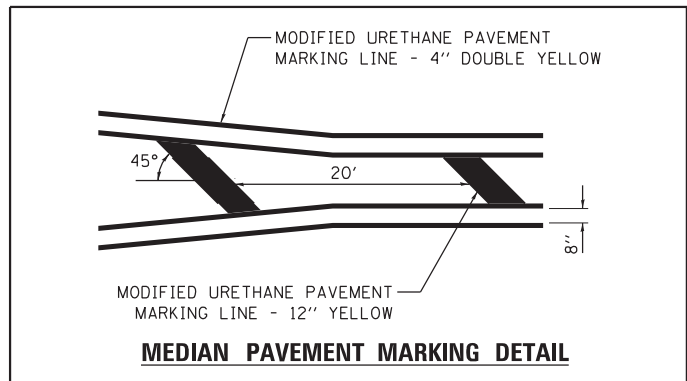
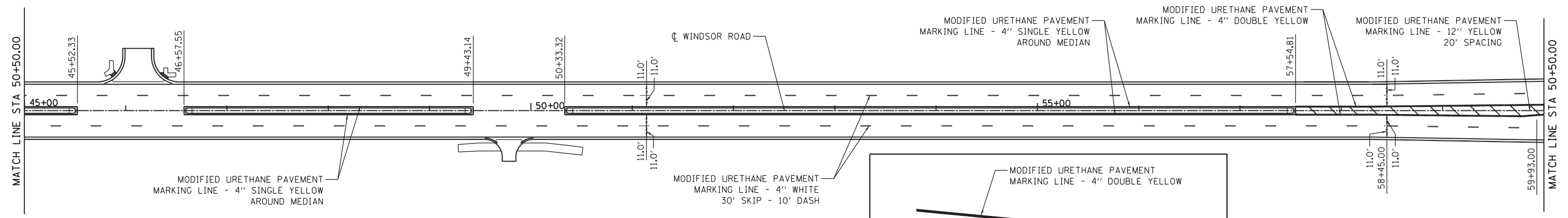
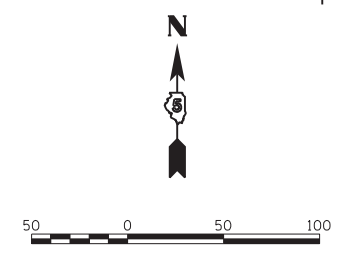
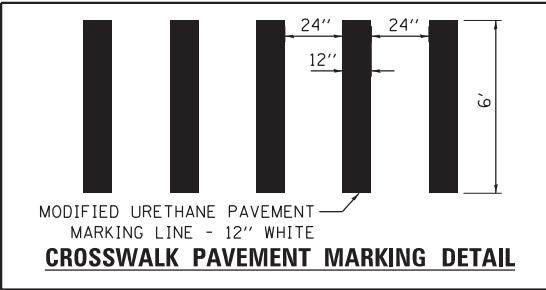
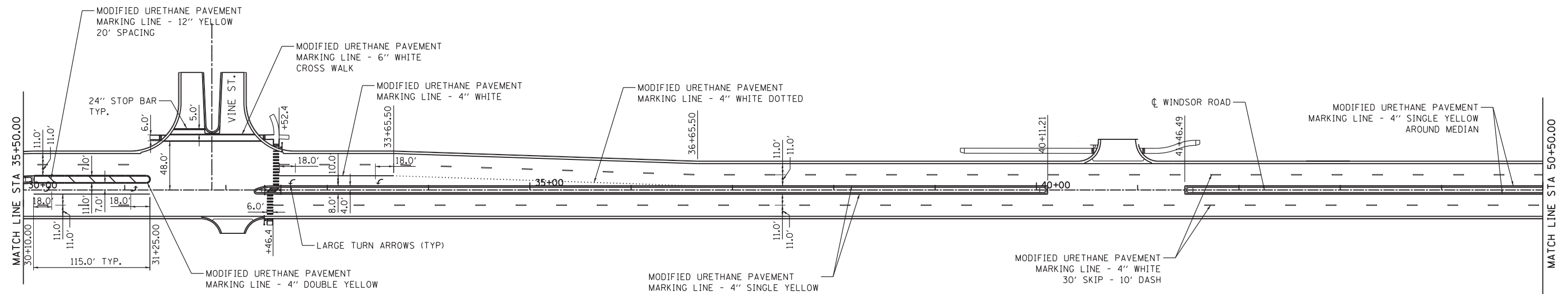
**STATE OF ILLINOIS
DEPARTMENT OF TRANSPORTATION**

**PAVEMENT MARKING PLANS - (WINDSOR RD.)
WINDSOR ROAD**

SCALE: 1" = 50' SHEET 1 OF 5 SHEETS STA. TO STA.

F.A. RTE.	SECTION	COUNTY	TOTAL SHEETS	SHEET NO.
7145	13-00540-00-PV	CHAMPAIGN	80	47
	13L0201		CONTRACT NO.	91515

ILLINOIS FED. AID PROJECT



DESIGNED	MH	4/29/14
DRAWN	RSJ	4/29/14
REVIEWED	MH	4/29/14

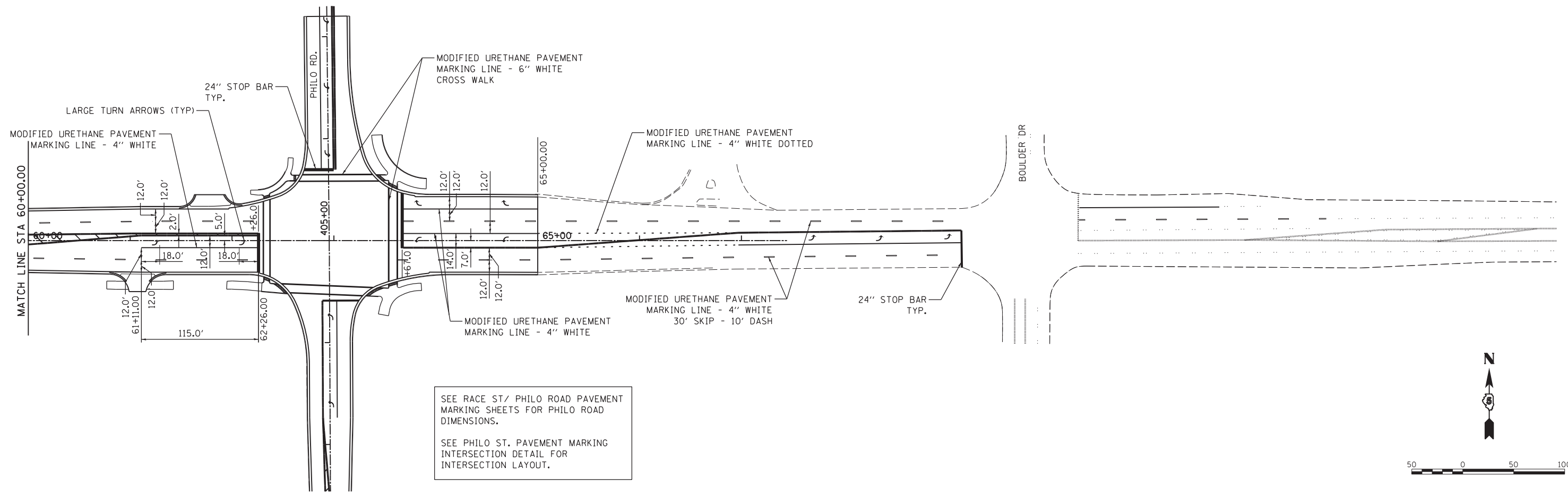
FILE NAME =	USER NAME = johns00944	DESIGNED - MH	REVISED -
D513L0201-sht-pmk02		DRAWN - RSJ	REVISED -
MODEL NAME =	PLOT SCALE = 100.0000' / in.	CHECKED - MH	REVISED -
Pavement Marking	PLOT DATE = 06/12/2014	DATE - 05-03-2014	REVISED -

**STATE OF ILLINOIS
DEPARTMENT OF TRANSPORTATION**

PAVEMENT MARKING PLANS - (WINDSOR RD.)			
WINDSOR ROAD			
SCALE: 1" = 50'	SHEET 2 OF 5 SHEETS	STA.	TO STA.

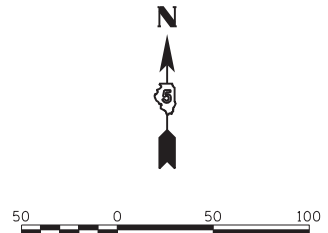
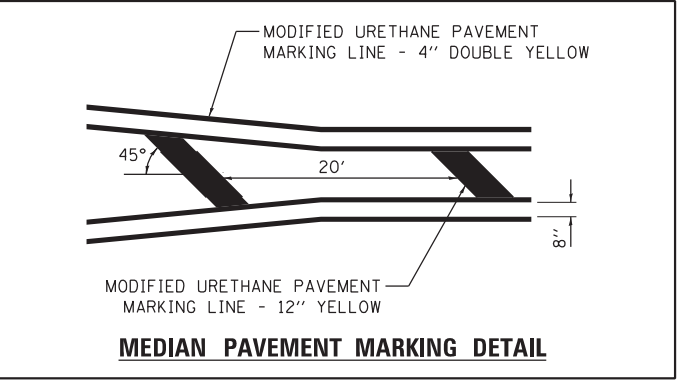
F.A. RTE.	SECTION	COUNTY	TOTAL SHEETS	SHEET NO.
7145	13-00540-00-PV	CHAMPAIGN	80	48
	13L0201	CONTRACT NO.	91515	
ILLINOIS FED. AID PROJECT				

PENTABLE NAME = ...C:\ProgramData\Bentley\MicroStation V8i (SELECTseries)\Workspace\prBj0610PRV6R\NAME.tbl...Plot\IDOT.pdf_600dpi.pltcf



SEE RACE ST/ PHILO ROAD PAVEMENT MARKING SHEETS FOR PHILO ROAD DIMENSIONS.

SEE PHILO ST. PAVEMENT MARKING INTERSECTION DETAIL FOR INTERSECTION LAYOUT.



DESIGNED	MH	4/29/14
DRAWN	RSJ	4/29/14
REVIEWED	MH	4/29/14

FILE NAME =	USER NAME = johns00944	DESIGNED - MH	REVISED -
D51310201-shr:pmk03		DRAWN - RSJ	REVISED -
MODEL NAME =	PLOT SCALE = 100.0000' / in.	CHECKED - MH	REVISED -
Pavement Marking	PLOT DATE = 06\12\2014	DATE - 05-03-2014	REVISED -

**STATE OF ILLINOIS
DEPARTMENT OF TRANSPORTATION**

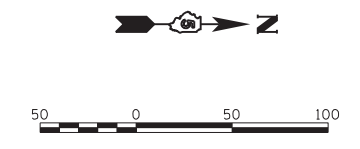
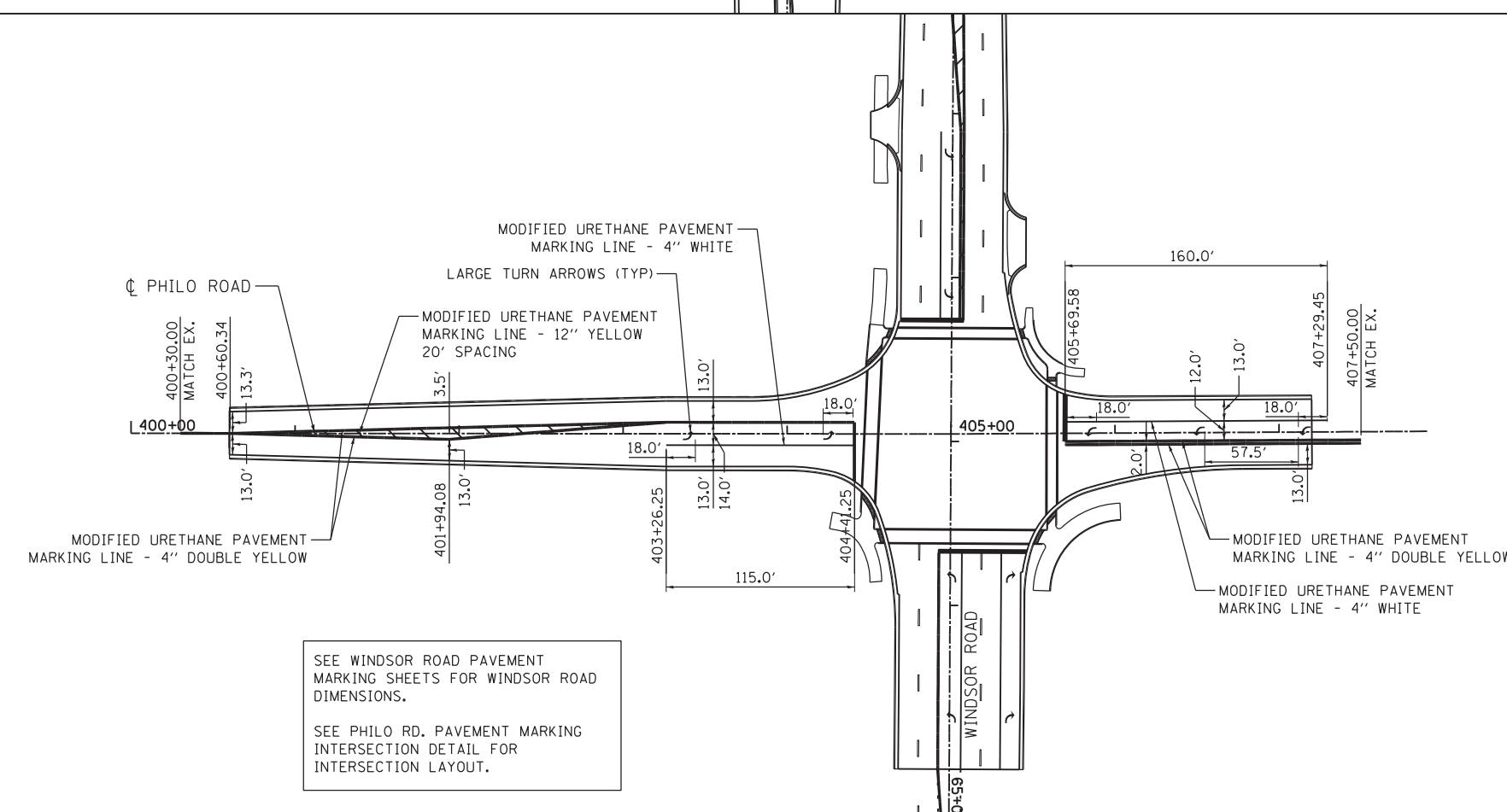
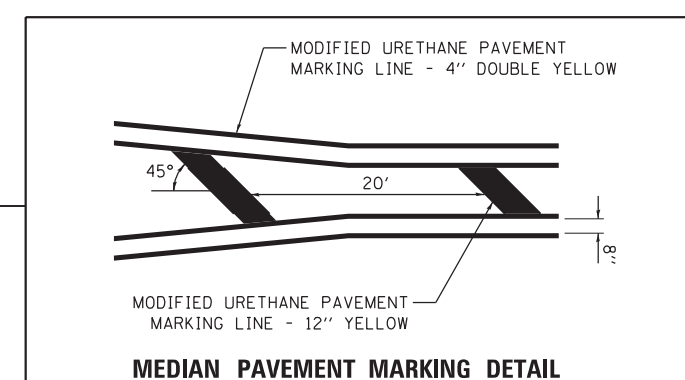
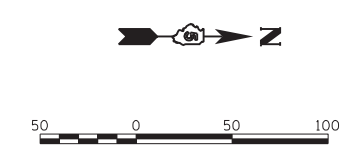
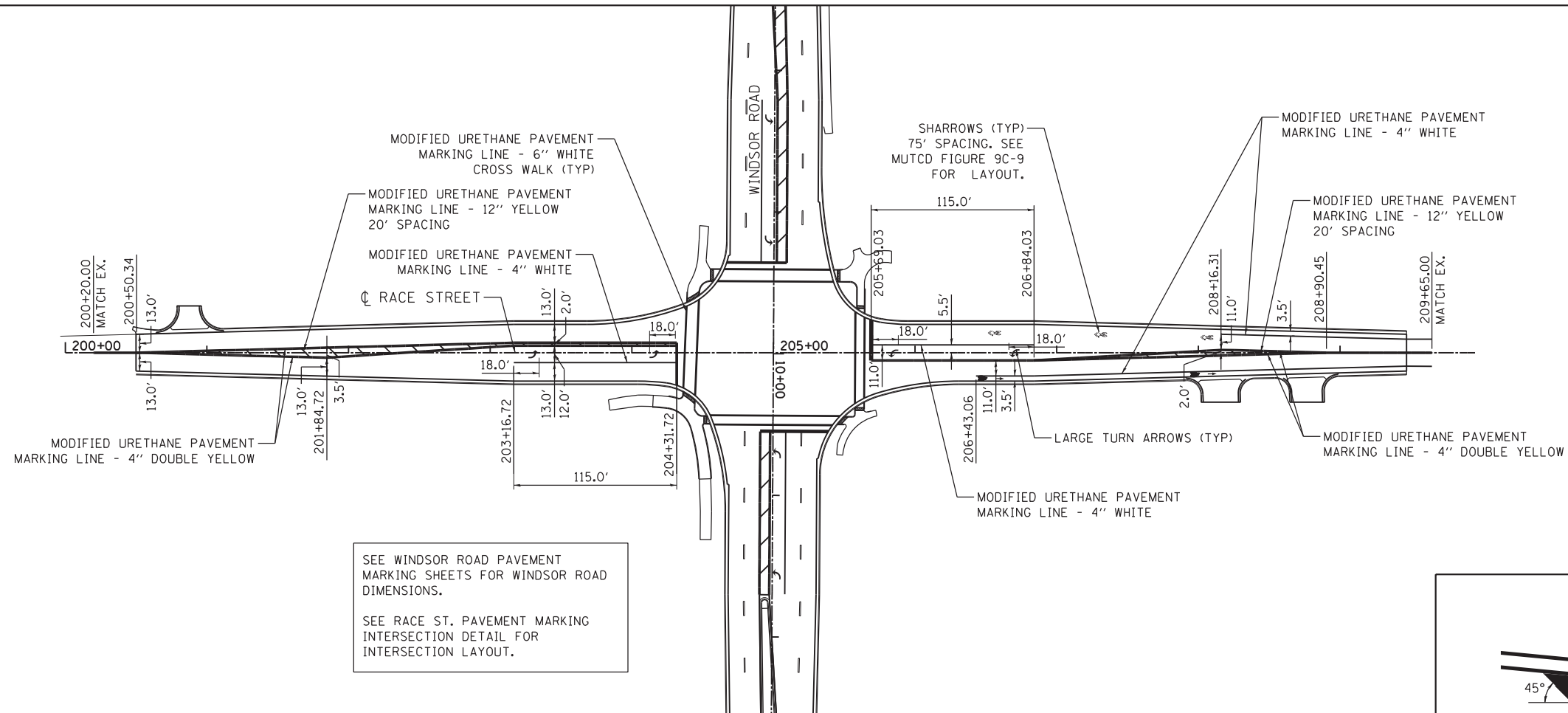
**PAVEMENT MARKING PLANS - (WINDSOR RD.)
WINDSOR ROAD**

SCALE: 1" = 50' SHEET 3 OF 5 SHEETS STA. TO STA.

F.A. RTE.	SECTION	COUNTY	TOTAL SHEETS	SHEET NO.
7145	13-00540-00-PV	CHAMPAIGN	80	49
	13LO201			CONTRACT NO. 91515

ILLINOIS FED. AID PROJECT

PENTABLE NAME = ...C:\ProgramData\Bentley\MicroStation V8i (SELECTseries)\Workspace\prBj06t0RPY6R\NAME.tbl...Plot\DDOT.pdf_600dpi.plt:fg



DESIGNED	MH	4/29/14
DRAWN	RSJ	4/29/14
REVIEWED	MH	4/29/14

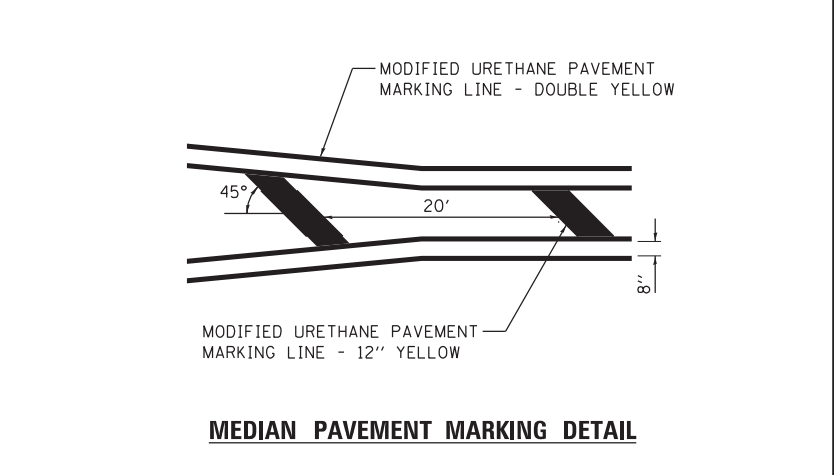
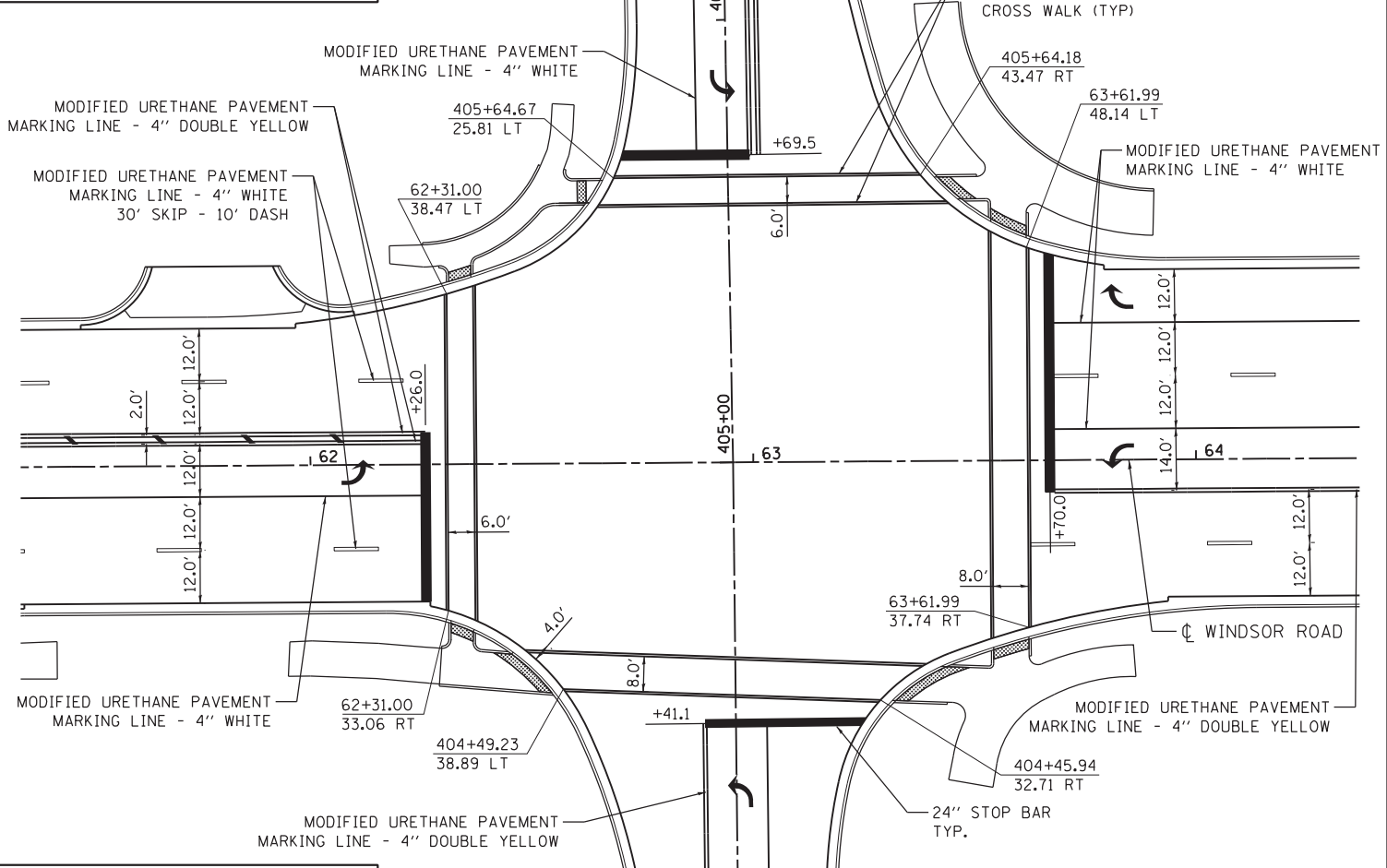
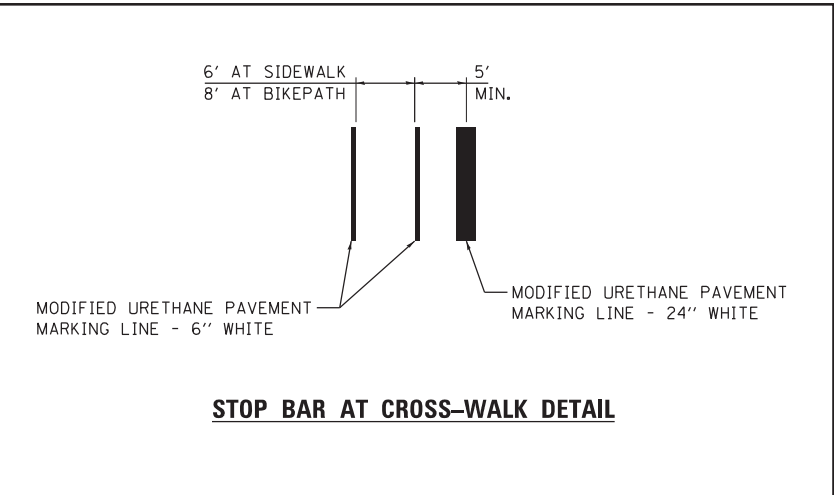
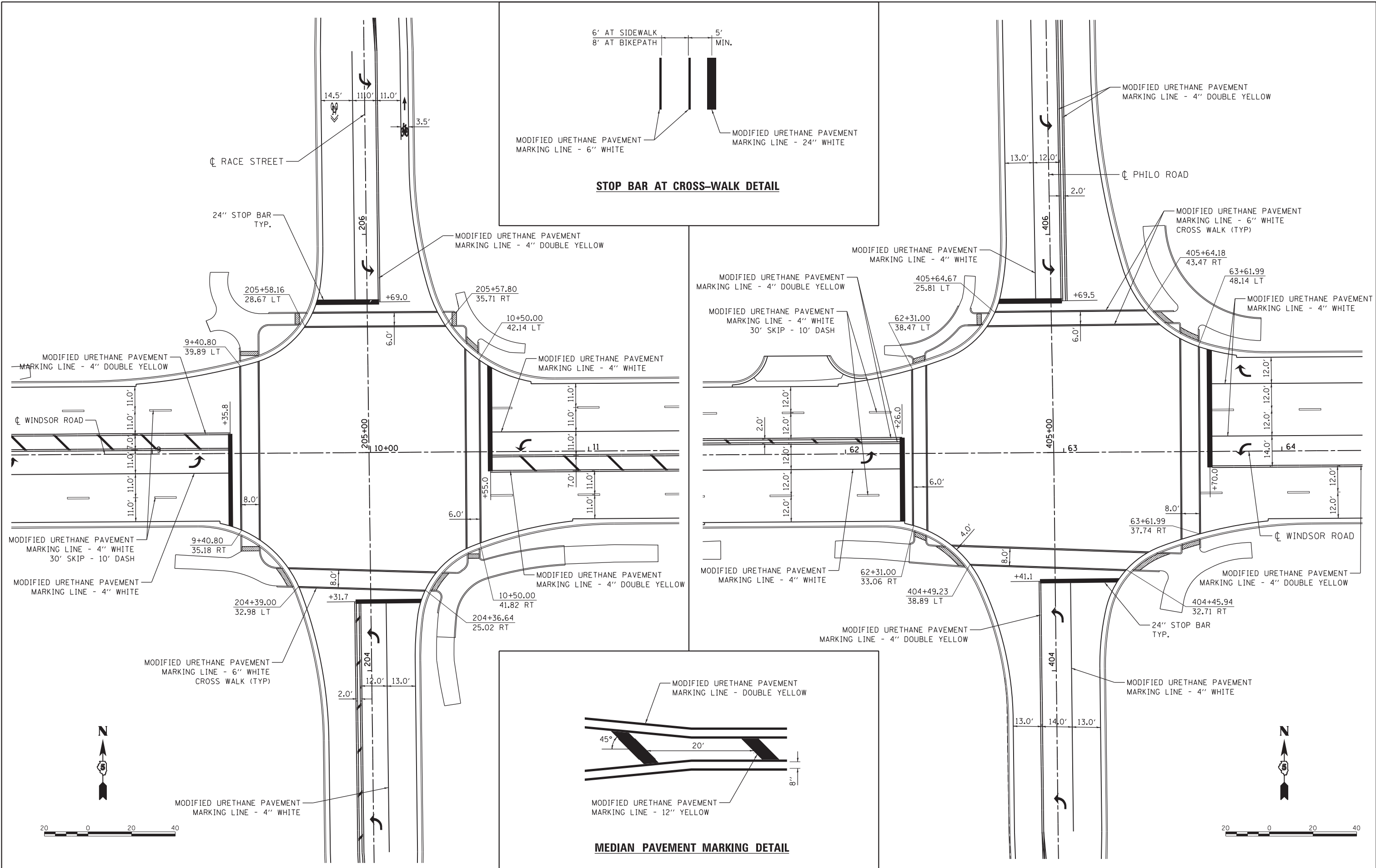
FILE NAME =	USER NAME = johns00944	DESIGNED - MH	REVISED -
D513L0201-sht-pmk04		DRAWN - RSJ	REVISED -
MODEL NAME =	PLOT SCALE = 100.0000' / in.	CHECKED - MH	REVISED -
Pavement Marking	PLOT DATE = 06/12/2014	DATE - 05-03-2014	REVISED -
PENTABLE NAME = ...C:\ProgramData\Bentley\MicroStation V8i (SELECTseries)\Workspace\prBj06t0RPY6R\NAME.tbl...Plot\IDOT.pdf_600dpi.pltcf			

**STATE OF ILLINOIS
DEPARTMENT OF TRANSPORTATION**

**PAVEMENT MARKING PLANS - (RACE ST./PHILO RD.)
WINDSOR ROAD**

SCALE: 1" = 50' SHEET 4 OF 5 SHEETS STA. TO STA.

F.A. RTE.	SECTION	COUNTY	TOTAL SHEETS	SHEET NO.
7145	13-00540-00-PV	CHAMPAIGN	80	50
	13L0201	CONTRACT NO.	91515	
ILLINOIS FED. AID PROJECT				



DESIGNED	RSJ	4/29/14
DRAWN	RSJ	4/29/14
REVIEWED	MH	4/29/14

FILE NAME =	USER NAME = johns00944	DESIGNED - RSJ	REVISED -
D513L0201-sht-intersec-03		DRAWN - RSJ	REVISED -
MODEL NAME =	PLOT SCALE = 40.0000' / in.	CHECKED - MH	REVISED -
Intersection Detail	PLOT DATE = 06/12/2014	DATE - 05-03-2014	REVISED -

**STATE OF ILLINOIS
DEPARTMENT OF TRANSPORTATION**

**INTERSECTION PAVEMENT MARKINGS - (RACE ST./PHILO RD.)
WINDSOR ROAD**

SCALE: 1" = 20' SHEET 5 OF 5 SHEETS STA. TO STA.

F.A.P. RTE.	SECTION	COUNTY	TOTAL SHEETS	SHEET NO.
7145	13-00540-00-PV	CHAMPAIGN	80	51
	13L0201	CONTRACT NO.	91515	

ILLINOIS FED. AID PROJECT

PENTABLE NAME = ...\\C:\ProgramData\Bentley\MicroStation V8i (SELECTseries)\Workspace\prBj06t0r\PRV8\NAME.tbl...\\Plot\IDOT.pdf_600dpi.pltcf