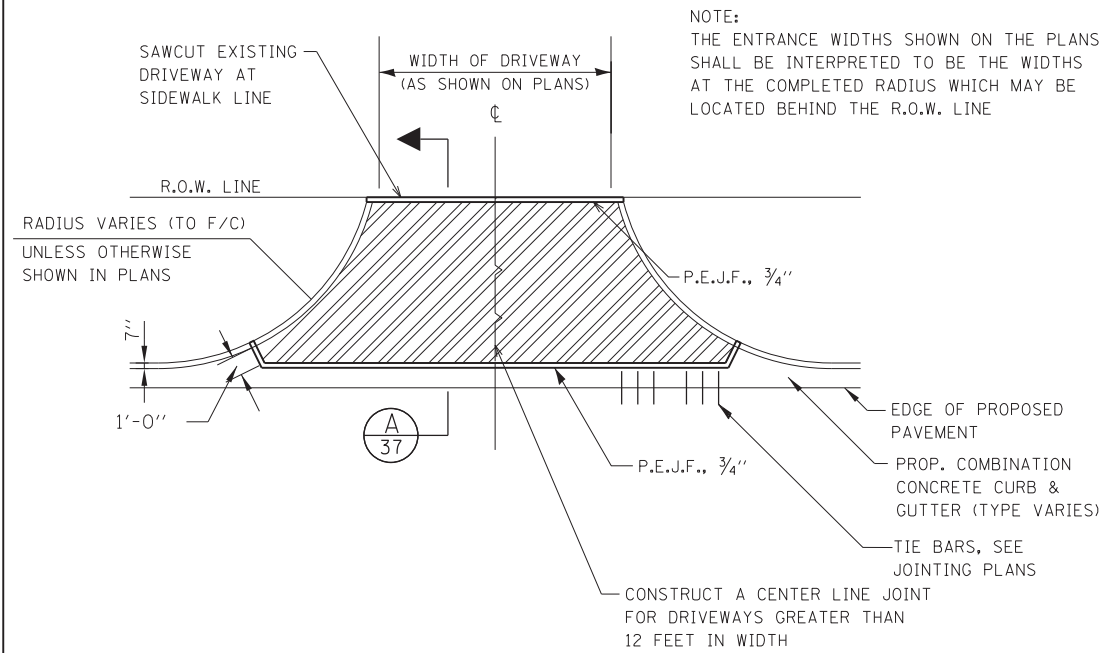


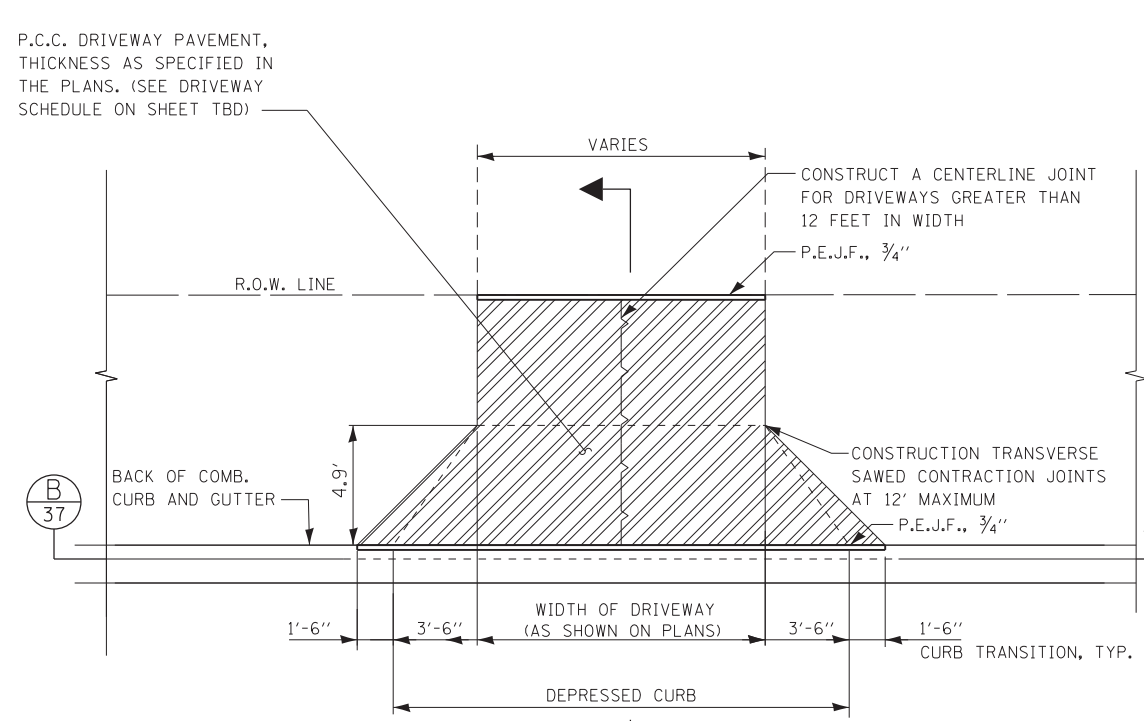
GENERAL NOTES

ENTRANCE NOTES:

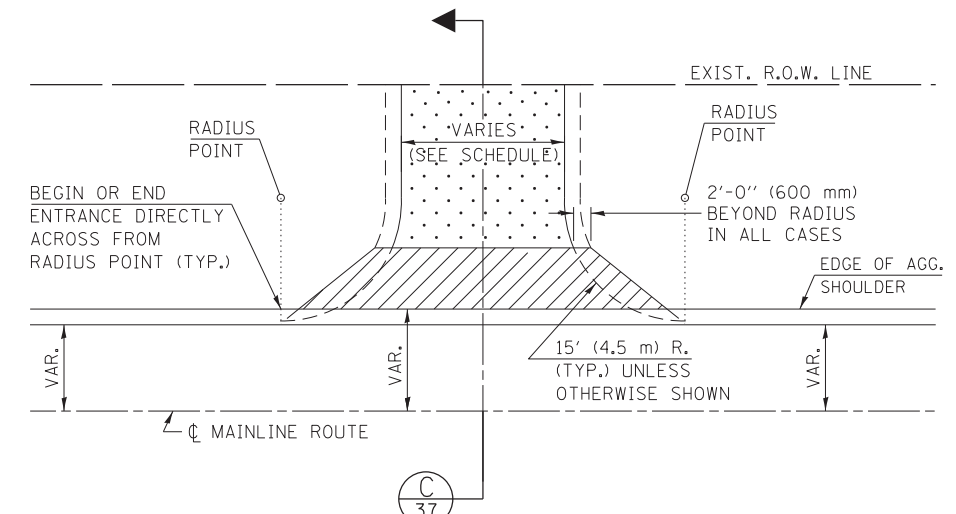
1. EXPANSION JOINTS SHALL CONFORM TO SECTION 420.05 OF THE STANDARD SPECS.
2. THE ENTRANCE GRADES WILL BE AS SHOWN ON THE STATION CROSS SECTIONS AND AS DIRECTED BY THE ENGINEER.
3. BEFORE A CHANGE ON THE METHOD OF CONSTRUCTION IS ALLOWED, THE REQUEST SHALL BE SUBMITTED IN WRITING AND MUST BE APPROVED BY THE ENGINEER.
4. THE VARIABLE HEIGHT CURB ADJACENT TO THE P.C. CONCRETE DRIVEWAY PAVEMENT SHALL BE CONSTRUCTED MONOLITHIC WITH AND INCLUDED IN THE AREA OF THE P.C. CONCRETE DRIVEWAY PAVEMENT OF THE THICKNESS SPECIFIED IN THE PLANS. THIS WORK WILL BE PAID FOR AT THE CONTRACT UNIT PRICE PER SQ.YD. FOR P.C. CONCRETE DRIVEWAY PAVEMENT OF THE THICKNESS SPECIFIED IN THE PLANS, INCLUDING THE MONOLITHIC CURBS AS SPECIFIED, THE LONGITUDINAL CURB EXPANSION JOINTS, AND THE ADDITIONAL THICKNESS REQUIRED ADJACENT TO THE DEPRESSED COMBINATION CONCRETE CURB AND GUTTER, AND NO ADDITIONAL COMPENSATION WILL BE ALLOWED.
5. THICKEN ALL SIDEWALKS AT DRIVEWAY TO THICKNESS OF DRIVEWAY PAVEMENT (INCIDENTAL TO SIDEWALK CONSTRUCTION).
6. DRIVEWAYS THAT WILL MEET EXISTING OR PROPOSED CURB NEAR THE R.O.W. LINE SHALL HAVE THE CURB CONSTRUCTED FULL HEIGHT TO THE R.O.W. LINE.
7. DRIVEWAYS THAT WILL BE CONSTRUCTED WITH FULL HEIGHT CURBS NEAR THE R.O.W. LINE SHALL HAVE THE CURB SLOPED AS SHOWN HEREIN.
8. EARTH EXCAVATION REQUIRED FOR THE CONSTRUCTION OF THE AGGREGATE SURFACE COURSE SHALL BE INCLUDED IN THE COST OF THE AGGREGATE SURFACE COURSE.



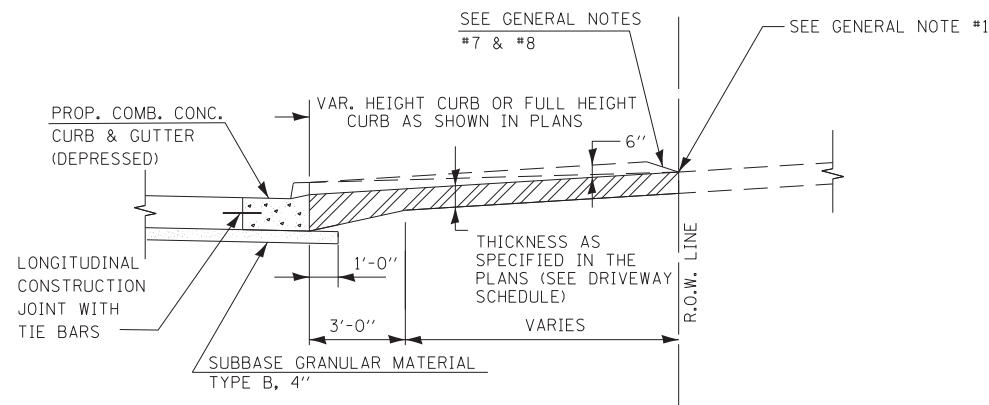
1
37 **COMMERCIAL ENTRANCE DETAIL**
ALSO DETAIL FOR PRIVATE ENTRANCE @ STA. 109+66.40



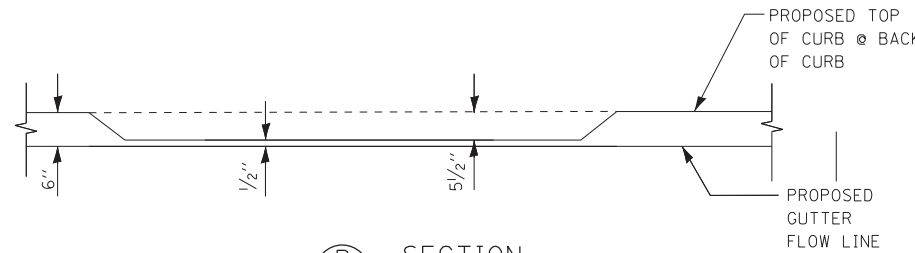
2
37 **PRIVATE ENTRANCE DETAIL**



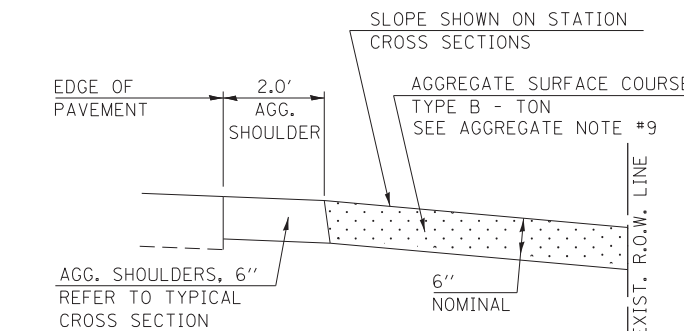
3
37 **AGGREGATE ENTRANCE DETAIL**



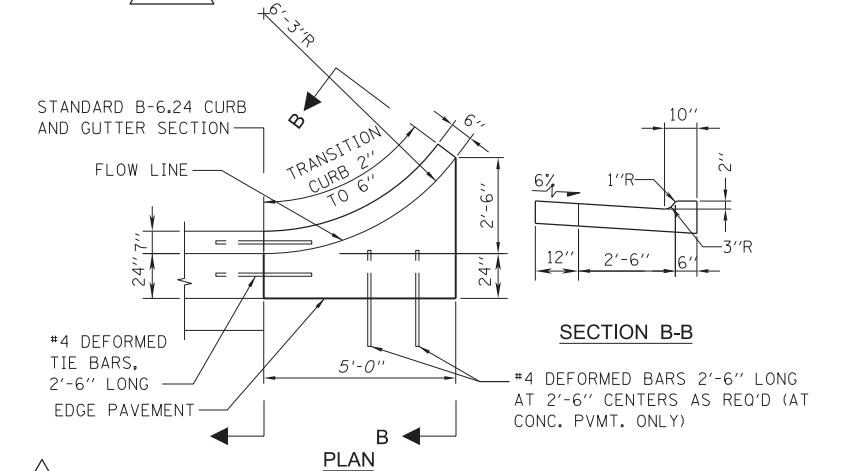
A
37 **SECTION**



B
37 **SECTION**



C
37 **SECTION**



4
37 **COMB. CONC. CURB AND GUTTER OUTLET, SPECIAL**
GUTTER OUTLET SHALL BE MEASURED AND PAID FOR AS COMB. CONC. CURB & GUTTER. QUANTITY FOR ONE OUTLET SHALL BE 5' LIN. FT.

LEGEND

- P.E.J.F.
- ▨ PROP. P.C. CONCRETE DRIVEWAY PAVEMENT
- +—+— LONGITUDINAL JOINT WITH TIE BARS
- +—+— CONSTRUCTION JOINT

**STATE OF ILLINOIS
DEPARTMENT OF TRANSPORTATION**

MISCELLANEOUS DETAILS

SCALE: NTS SHEET NO. 1 OF 1 SHEETS STA. TO STA.

F.A.U. RTE.	SECTION	COUNTY	TOTAL SHEETS	SHEET NO.
7190	13-00532-00-PV	CHAMPAIGN	80	50
CONTRACT NO.				
ILLINOIS FED. AID PROJECT				

DRIVER = 0PLT00VIL*
 FILE NAME = P:\2014\11\0001-00\CADD\Plans\11\0001-00-int-detail.dwg

Farnsworth GROUP, INC.
 2211 West Bradley Avenue
 Champaign, Illinois 61821
 217/352-7408, 217/352-7409 fax

USER NAME = slisenby	DESIGNED - DSC	REVISED -
PRINTER = \$SYSPRINTER_NAME\$	DRAWN - JDK	REVISED -
PLOT SCALE = 1.00' / in.	CHECKED - JLF	REVISED -
PLOT DATE = 3/17/2017	DATE - 01/26/2017	REVISED -