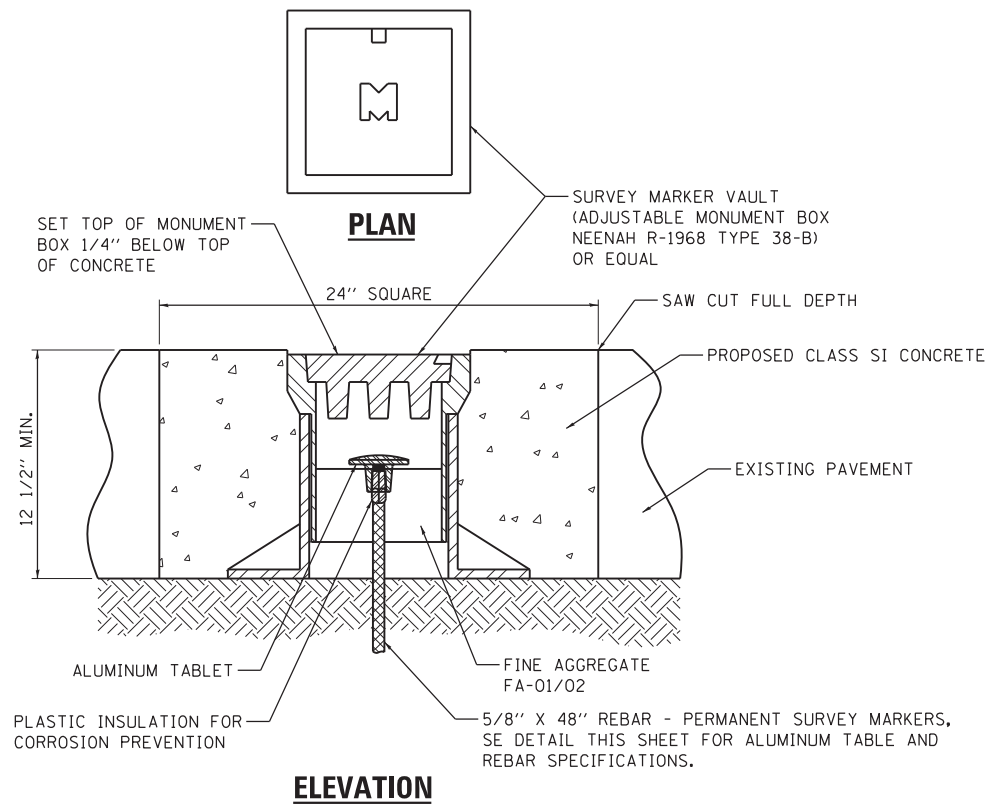


SURVEY CAP FOR REBAR. 3 1/4" CONVEX SURVEY CAP FOR 5/8" REBAR WITH IL PLS NUMBER. THIS LOGO SHALL PROVIDE LETTERS RECESSED INTO THE SURFACE A MINIMUM OF 0.031 (1/32) INCH FOR EASY AND LONG-TERM LEGIBILITY. THE ALUMINUM CAP FOR REBAR SHALL BE PRODUCED BY THE PROCESS OF ORBITAL FORGING TO PRODUCE A HIGH STRENGTH AND DURABLE MARKER CAP WHICH WILL NO CHIP OR BREAK AND PROVIDE A SMOOTH FINISH FOR STAMPING OF DATA IN THE FIELD.

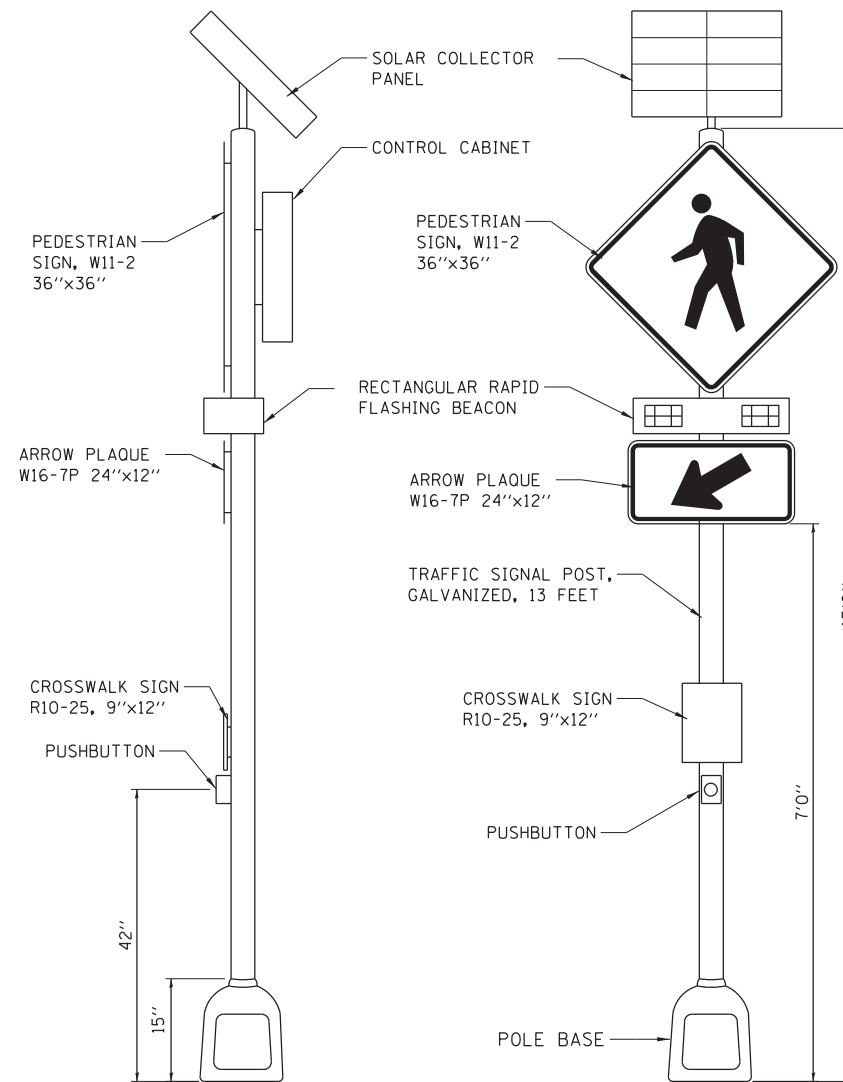
THE ALUMINUM CAP FOR REBAR SHALL BE TAPERED FOR A PERFECT COMPRESSION FIT. A SPECIAL PLASTIC INSULATOR SHALL BE INSTALLED TO PREVENT DISSIMILAR METAL CONTACT AND CORROSION. THE PLASTIC INSULATOR SHALL FORM READILY TO THE OUTER SHAPE OF THE REBAR AND TO THE INNER SHAPE OF THE ALUMINUM CAP SOCKET. THE PLASTIC INSULATOR SHALL BE LOW DENSITY POLYETHYLENE, A MINIMUM 1 1/2" LONG AND CONFORM TO FEDERAL SPECIFICATION L-P 390.

COMPOSITION: ALUMINUM 98.3-98.7 THER 1.3-1.7%  
STRENGTH: YIELD 28 KSI, ULTIMATE 32 KSI  
ELONGATION: 15% (IN TWO INCHES)  
SPECIFICATIONS: ALUMINUM ALLOY 6101-0; ASTM B317-83 (EXCEPT TEMPER) AS FORGED. NO EXCEPTIONS.

- NOTES:
- ALUMINUM TABLET SHALL BE SET WITH A 5/8" REBAR.
  - REFERENCING OF THE EXISTING SURVEY MARKER AND SETTING AND MARKING THE PROPOSED SURVEY MARKER SHALL BE DONE BY AN ILLINOIS PROFESSIONAL LAND SURVEYOR IN ACCORDANCE WITH SECTIONS 667 AND 668 OF THE STANDARD SPECIFICATIONS. DELETE REFERENCE TO BASIS OF PAYMENT.
  - THIS WORK WILL BE PAID FOR AT THE CONTRACT UNIT PRICE EACH FOR PERMANENT SURVEY MARKERS (SPECIAL) WHICH PRICE SHALL BE INCLUDED ALL LABOR AND MATERIAL AS SPECIFIED, INCLUDING SETTINGS AND MARKING THE SURVEY MARKER BY AN ILLINOIS PROFESSIONAL LAND SURVEYOR AND NO ADDITIONAL COMPENSATION WILL BE ALLOWED.

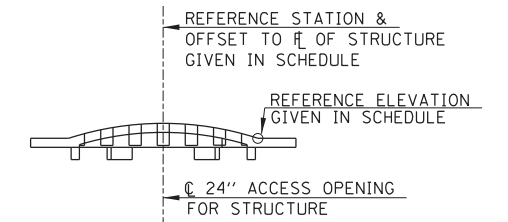


**PERMANENT SURVEY MARKER DETAIL**

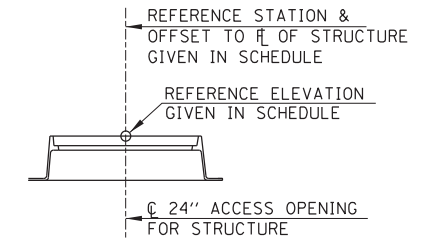


**PEDESTRIAN ACTIVATED CROSSWALK WARNING SYSTEM DETAIL**

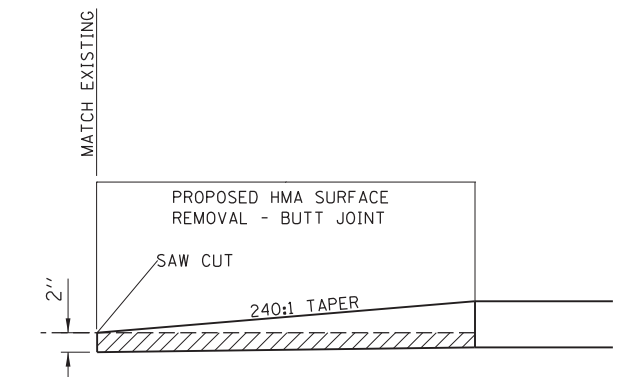
SCALE: N.T.S.



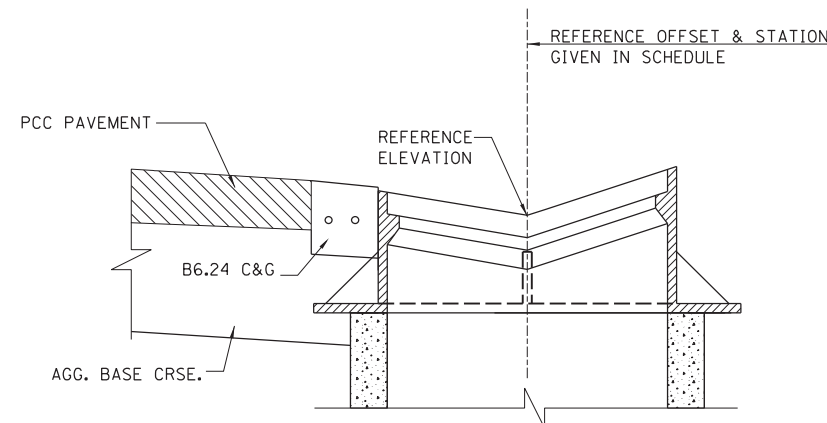
**TYPE 8 GRATE**



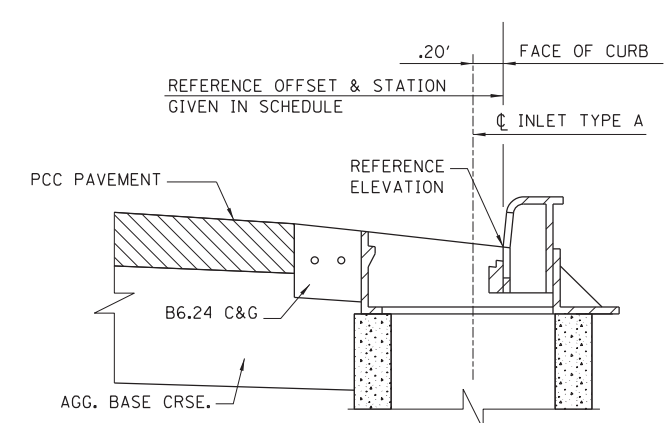
**TYPE 1 FRAME & LID**



**TYPICAL BUTT JOINT AND H.M.A. TAPER**



**INLET WITH FRAME & GRATE, TYPE 9**



**INLET WITH FRAME & GRATE, TYPE 3V**

DESIGNED	MH	4/29/14
DRAWN	CAD	4/29/14
REVIEWED	MH	4/29/14

FILE NAME =	USER NAME = johns00944	DESIGNED - MH	REVISED -
D513L0201-sht-detailsmisc01		DRAWN - CAD	REVISED -
MODEL NAME =	PLOT SCALE = 100.0000' / in.	CHECKED - MH	REVISED -
Sheet 1	PLOT DATE = 06/12/2014	DATE - 05-03-2014	REVISED -

STATE OF ILLINOIS  
DEPARTMENT OF TRANSPORTATION

MISCELLANEOUS DETAILS  
WINDSOR ROAD

SCALE: N.T.S. SHEET 1 OF 1 SHEETS STA. TO STA.

F.A.P. RTE.	SECTION	COUNTY	TOTAL SHEETS	SHEET NO.
7145	13-00540-00-PV	CHAMPAIGN	80	55
	13L0201	CONTRACT NO.	91515	
ILLINOIS FED. AID PROJECT				